






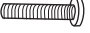


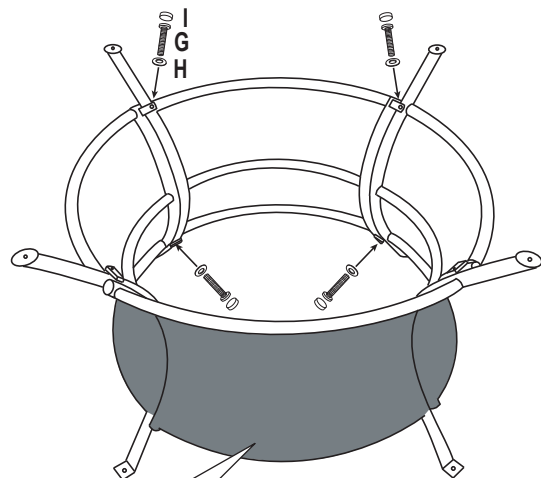




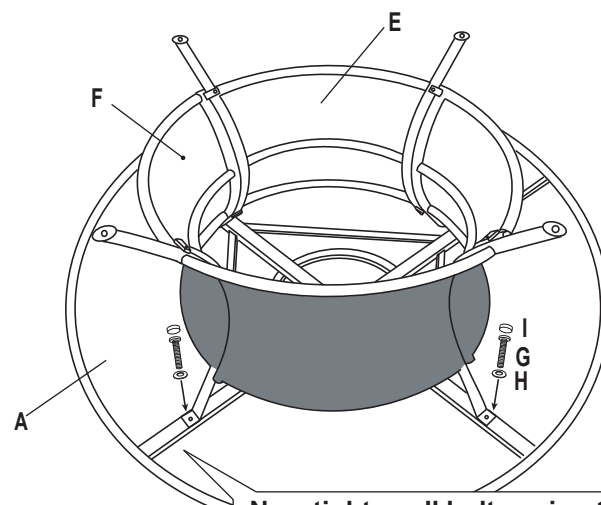
Corsica 165cm Round Table Including 70cm Lazy Susan
Madrid Brown 165cm Round Table Including 70cm Lazy Susan
Code: GF-COR12 GF-MAD18

A	TABLE RIM		1	E	TABLE BASE(1)		2	I	PLASTIC BOLT CAP(M6)		12
B	GLASS TABLE TOP		1	F	TABLE BASE(2)		2	J	ALLEN WRENCH		1
C	GLASS TOP FOR LAZY SUSAN		1	G	BOLT(M6X20L)		12				
D	BASE OF LAZY SUSAN		1	H	METAL WASHER (Φ6.5)		12				



Do not fix too tight at this step.

PIC.1



Now tighten all bolts using the Allen Wrench provided. Important note: Each bolt should be tightened a few revolutions at a time, alternating between bolts in a cross corner (x) fashion.

PIC.2