






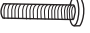


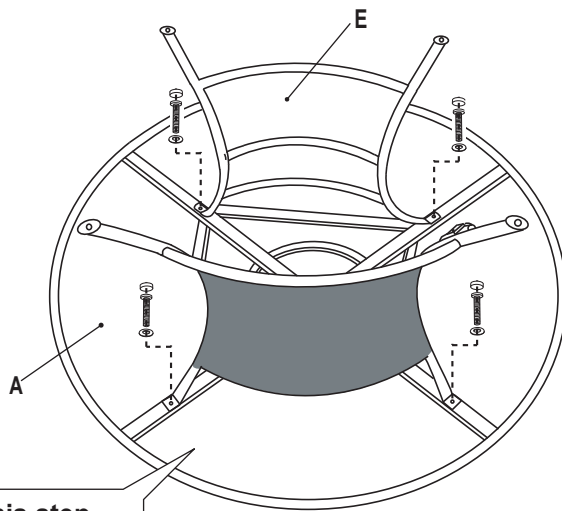


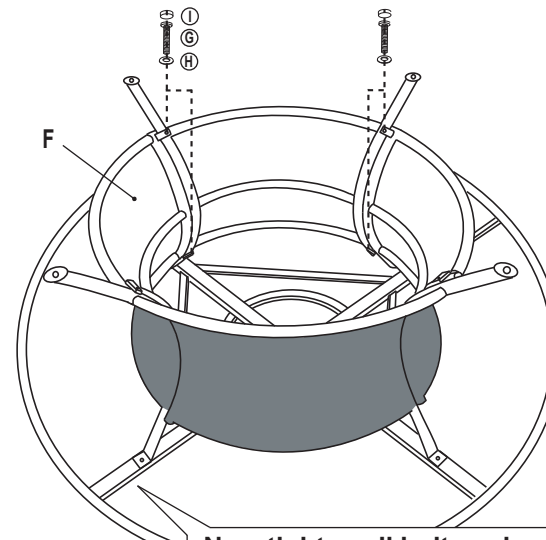
Madrid and Corsica 135cm Round Table with Lazy Susan Assembly Instructions

L-Grow Codes: GF-MAD13 / GF-MAD17 / GF-COR11

A	TABLE RIM		1	E	TABLE BASE(1)		2	I	PLASTIC BOLT CAP(M6)		12
B	GLASS TABLE TOP		1	F	TABLE BASE(2)		2	J	ALLEN WRENCH		1
C	GLASS TOP FOR LAZY SUSAN		1	G	BOLT(M6X20L)		12				
D	BASE OF LAZY SUSAN		1	H	METAL WASHER (Φ6.5)		12				



PIC.1



PIC.2