






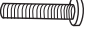


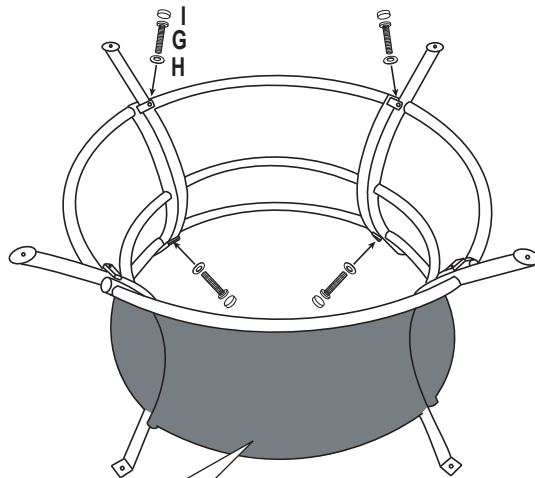


Leisuregrow

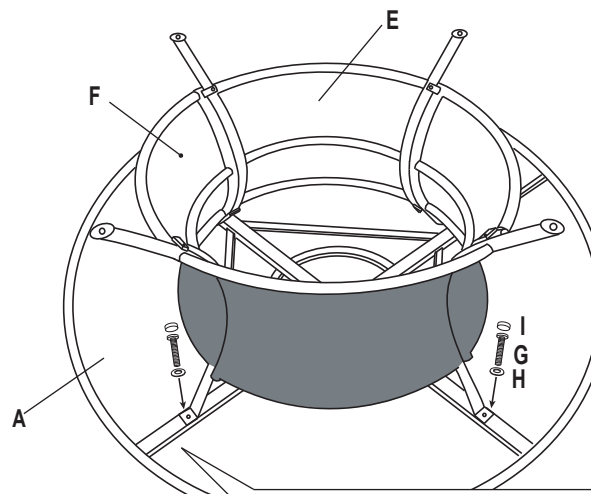
Corsica 135cm round table including 60cm lazy susan
 Madrid Black 135cm round table including 60cm lazy susan
 Madrid Mushroom 135cm round table including 60cm lazy susan
 Madrid Ebony 135cm Round Table Top Including 60cm Lazy Susan
 Assembly Instructions
 L-Grow Code:GF-MAD20/GF-MAD13 /GF-COR11/ GF-MAD51

A	TABLE RIM		1	E	TABLE BASE(1)		2	I	PLASTIC BOLT CAP(M6)		12
B	GLASS TABLE TOP		1	F	TABLE BASE(2)		2	J	ALLEN WRENCH		1
C	GLASS TOP FOR LAZY SUSAN		1	G	BOLT(M6X20L)		12				
D	BASE OF LAZY SUSAN		1	H	METAL WASHER (Φ6.5)		12				



Do not fix too tight at this step.

PIC.1



Now tighten all bolts using the Allen Wrench provided. Important note: Each bolt should be tightened a few revolutions at a time, alternating between bolts in a cross corner (x) fashion.

PIC.2